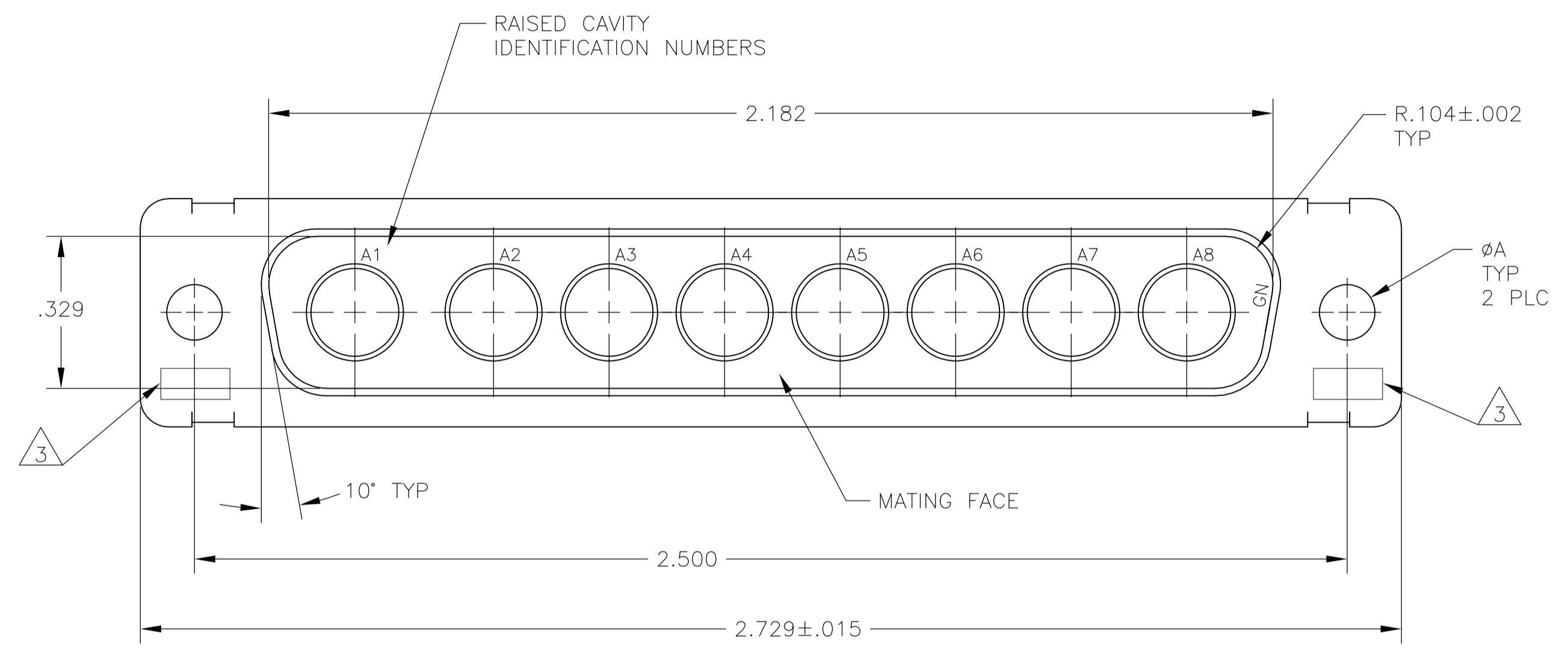
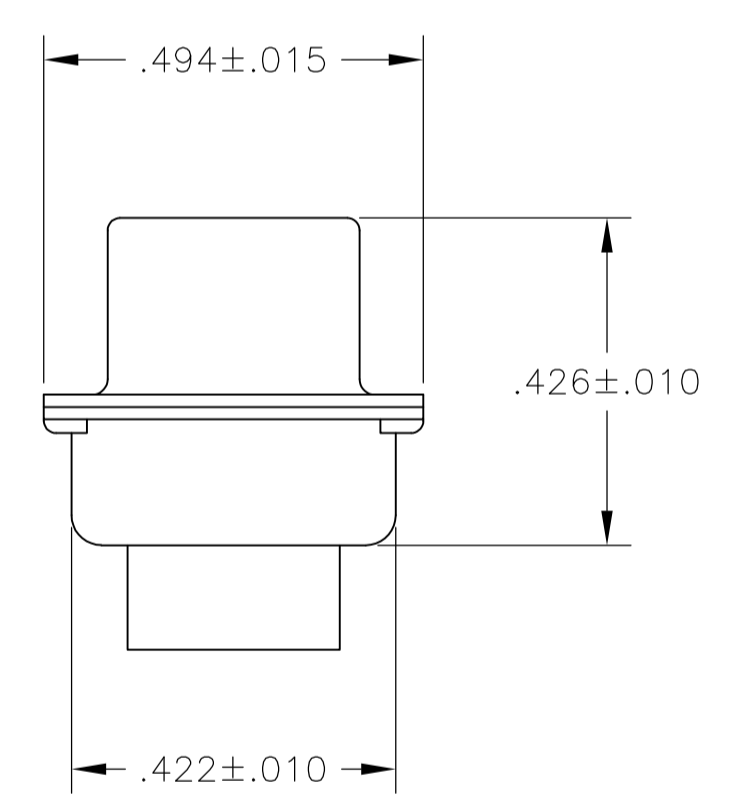
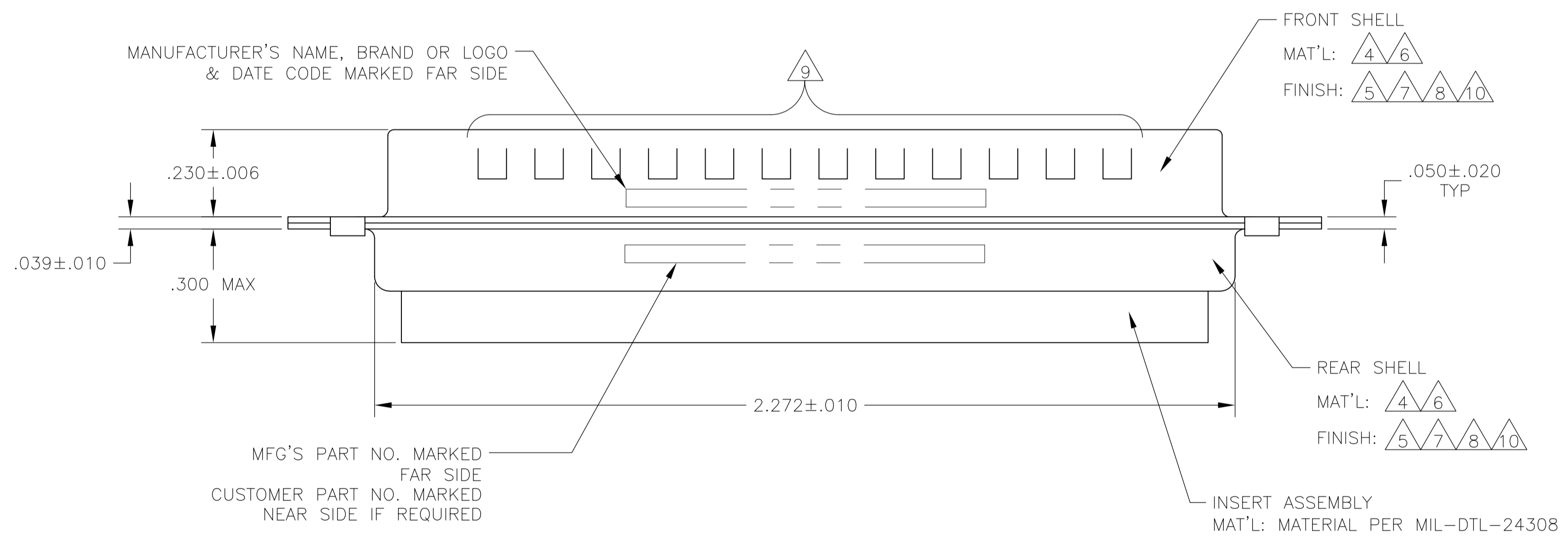


LOC		DIST		REVISIONS			
P	LTR	DESCRIPTION	DATE	DWN	APVD		
S		REVISED PER ECO-15-016251	13NOV15	KG	CD		



1. THIS PLUG WILL MATE WITH ANY 8C8, SIZE 4 RECEPTACLE IN AMPLIMITE SERIES.
2. USE (8) SIZE 8 POWER, OR COAX PIN CONTACTS. CONSULT PRODUCT ENGINEERING FOR MORE DETAILS.
3. UL/CSA DESIGNATION STAMPED IN THIS AREA, OPTIONAL.
4. STEEL PER ASTM-A-109.
5. CADMIUM PLATED PER QQ-P-416, TYPE II, CLASS 2.
6. BRASS PER ASTM-B-36 AND MIL-C-50.
7. FINISH: PLATED GOLD PER ASTM-B-488, TYPE 3, CODE C, CLASS 1.25 OVER COPPER PLATE PER MIL-C-14550, CLASS IV.
8. FINISH: TIN PER ASTM-B-545 .000400 MIN THK OVER COPPER PER AMS2418 .000050 MIN THK.
9. GROUNDING INDENTS FOR 446405-4 & 5-446405-4 ONLY.
10. FINISH: ZINC PLATE PER ASTM-B-633 .000200-.000400 THK WITH SUPPLEMENTARY CHROMATE (Cr3+).



4, 9, 8	-	.120	MIL-C-24308 EQUIVALENT	5-446405-4
4, 10	-	.120	-	5-446405-1
6, 7	ST81D284-001	.120	-	446405-6
6, 7	B010942-0041	.120	-	446405-5
4, 8, 9	97942-645A935H02	.120	-	446405-4
6, 7	311P405-15P-B-15	.154	NON-MAGNETIC NASA QUALIFIED	446405-3
6, 7	311P405-15P-B-12	.120	NON-MAGNETIC NASA QUALIFIED	446405-2
4, 5	-	.120	MIL-C-24308 EQUIVALENT	446405-1
REMARKS	CUSTOMER PART NO.	ØA	DESCRIPTION	PART NO.

THIS DRAWING IS A CONTROLLED DOCUMENT. **STE** TE Connectivity

DIMENSIONS: INCHES	TOLERANCES UNLESS OTHERWISE SPECIFIED:	DIN MANJUNATH G.M. 27-May-15	CHK CHARLES THOMAS 27-May-15	APVD CHARLES THOMAS 27-May-15	NAME
0 PLC ± -	1 PLC ± -	PLUG ASSEMBLY			RESTRICTED TO
2 PLC ± -	3 PLC ± .005(0.13)	AMPLIMITE 8C8			
4 PLC ± -	ANGLES ± 0°, 30°	COAX MIX, SIZE 4			
MATERIAL	FINISH	SIZE	CAGE CODE	DRAWING NO	WEIGHT
-	-	A1	00779	446405	-
CUSTOMER DRAWING		SCALE	SHEET	REV	S
		4:1	1 of 1		